

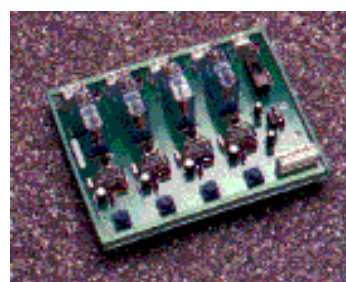


AUTOMATION PRODUCTS
Innovation in automation

INTERFACE PRODUCTS

4 CHANNEL CONDUCTIVITY CARD

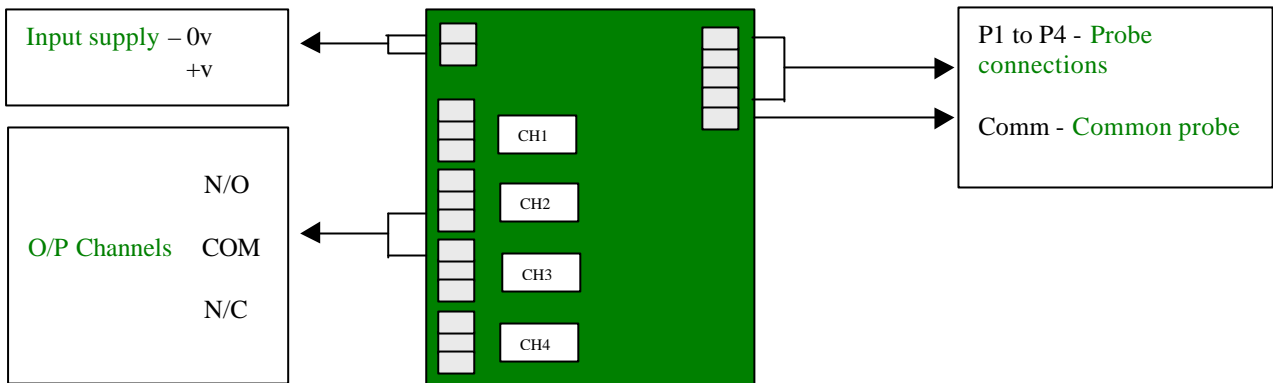
All of our interface products are backed up by a full technical support service.



This unit is designed to be attached to a maximum of four conductivity probes. In order to operate this unit a conductive level probe and a common probe are required. The common probe should be the same length, if not slightly longer than the longest of the four level probes. A simple probe could be made from a length of 4mm stainless steel.

- Unit accepts a DC supply in the range 8 – 30v DC
- Easy connection directly onto the assembly
- Adjustable sensitivity control for each channel
- LED indication of supply on, and level attained
- High quality hermetically sealed Finder relays are used for long term reliability
- 8 – 30 v DC suitable for battery powered, or battery backed sites
- Compatible level probes also available

See Fig1 below for connection details:



DESCRIPTION OF OPERATION

When water, for example, is detected between the common and one of the level probes, the applicable channel is activated and the relay contacts change over. The channel LED indicates an active channel.

ORDERING INFORMATION

For details of prices please contact Fairfield Automation Products. We have the following pricing break points:

1+ Units
10+ Units
20+ Units

Order code: RL001/CC

AUTOMATION PRODUCTS
01623 835350

